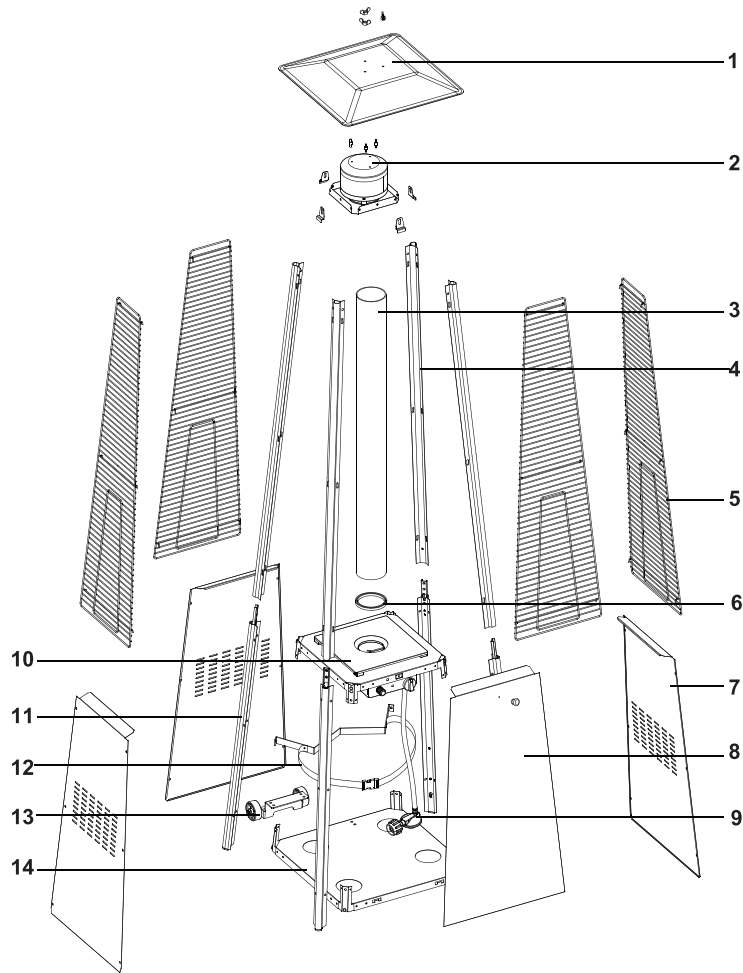


Parts Breakdown

Model PH-CN-0042-P 37878



- 15
- 16
- 17
- 18
- 19
- 20
- 21
- 22
- 23
- 24
- 25
- 26
- 27
- 28
- 29

Parts Breakdown

Model PH-CN-0042-P 37878

Item No.	Description	Position	Item No.	Description	Position	Item No.	Description	Position
41249	Reflector for 37878	1	42777	Lower Support for 37878	11	AH444	Screw M5x12 for 37878	21
42770	Flame Screen for 37878	2	42778	Block Belt for 37878	12	42785	Fixing Bracket for 37878	22
40658	Glass Tube for 37878	3	42950	Powder Coated Wheel Assembly for 37878	13	42787	Wrench for 37878	23
42771	Upper Support for 37878	4	42949	Powder Coated Bottom Plate for 37878	14	42788	Philips Screwdriver for 37878	24
42772	Protective Guard for 37878	5	41251	Wing Nut for 37878	15	42789	Knob for 37878	25
72273	Black Silicone Ring for 37878	6	41252	Small Flat Washer $\Phi 6$ for 37878	16	AH445	Screw M4x6 for 37878	26
42947	Powder Coated Side Panel for 37878	7	42781	Stud for 37878	17	AH446	Chain for 37878	27
42948	Powder Coated Front Panel for 37878	8	42782	3/16" Screw for 37878	18	AH447	Long Stem Lighter for 37878	28
42776	Gas Hose and Regulator for 37878	9	42783	Bolt M6x10 for 37878	19	AH448	AA Battery 1.5V for 37878	29
41250	Control Box Assembly for 37878	10	42784	M6 Flange Nut for 37878	20			